

Handle for tray

Article number: SR313

For use with Merrychef eikon® model(s):

- e2 e2s e3 e4 e4s e5

Key benefits:

- Handle for tray for use with P40C1423, P40C1151, P40C1157, 40H0347 and DX0117



Specifications:

- Dimensions: 25 mm x 264 mm x 91 mm (1" x 10.4" x 3.6")

Recommended application:

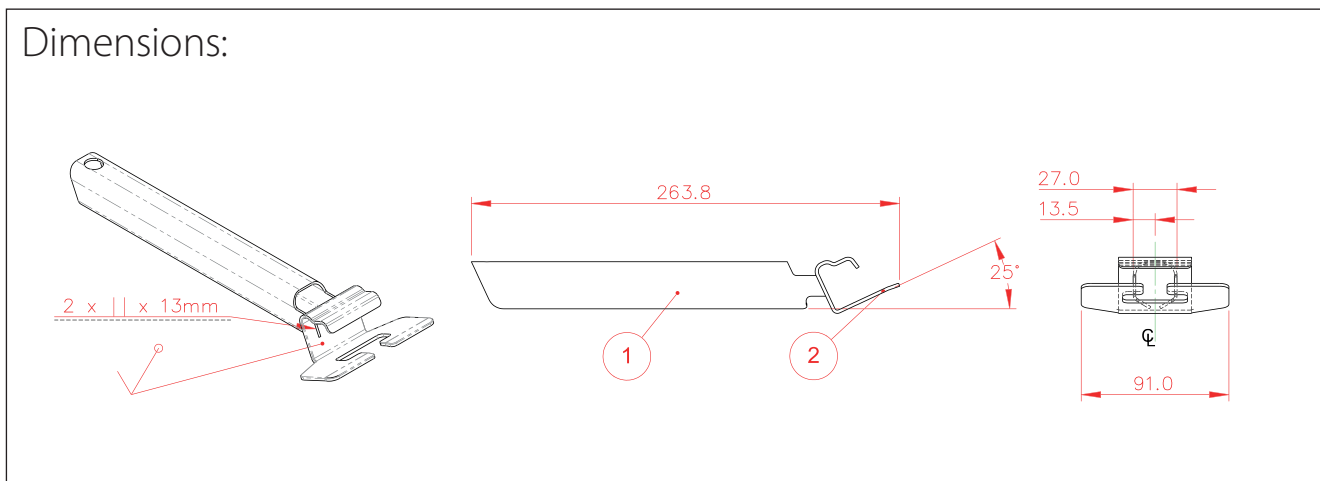
To be used for taking the vitreous oven trays and the cast turntable tray in and out of the high speed oven

Cleaning:

Wipe clean with a soft cloth or sponge in warm soapy water. To avoid damage always follow the recommended cleaning procedure. Do not use hard abrasives or wire wools on accessories.

Suitable for dishwasher cleaning.

Dimensions:



Article number: SR313 Issue 1 ENG-GBR 05/17. © 2017 Welbilt Inc. We reserve the right to change specifications appearing in this bulletin without incurring any obligation for equipment previously or subsequently sold.