

# Chromium plated steel rack

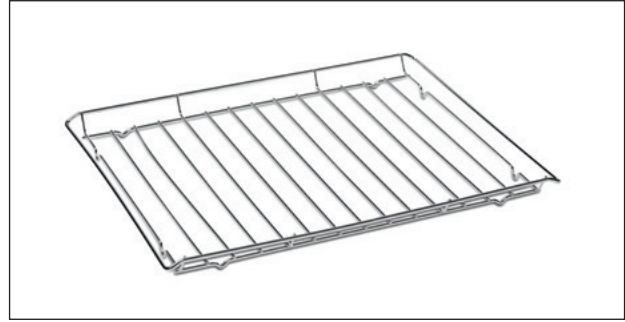
Article number: DR0056

For use with Merrychef eikon® model(s):

e2  e2s  e3  e4  e4s  e5

## Key benefits:

- Allows increased airflow on bottom of food products



## Specifications:

- Dimensions: 30 mm x 323 mm x 275 mm (1.2" x 12.7" x 10.8")

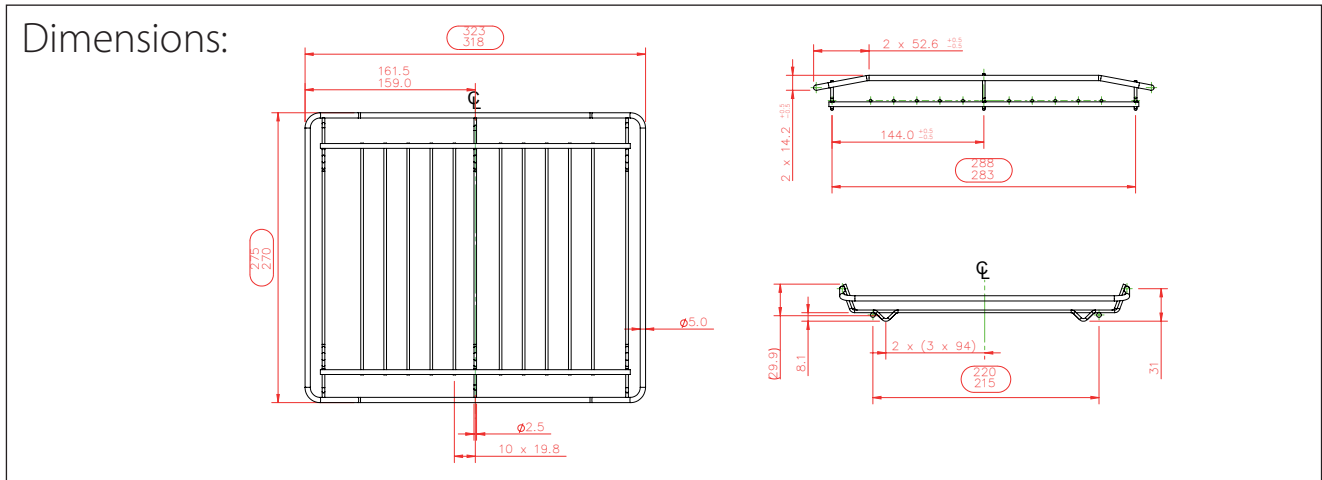
## Recommended application:

To be used in eikon e3 ONLY for multi level baking of only bread rolls, baguettes and ciabattas

## Cleaning:

Wipe clean with a soft cloth or sponge in warm soapy water. To avoid damage always follow the recommended cleaning procedure. Do not use hard abrasives or wire wools on accessories.

Suitable for dishwasher cleaning.



Article number: DR0056 Issue 1 ENG-GBR05/17. © 2017 Welbilt Inc. We reserve the right to change specifications appearing in this bulletin without incurring any obligation for equipment previously or subsequently sold.